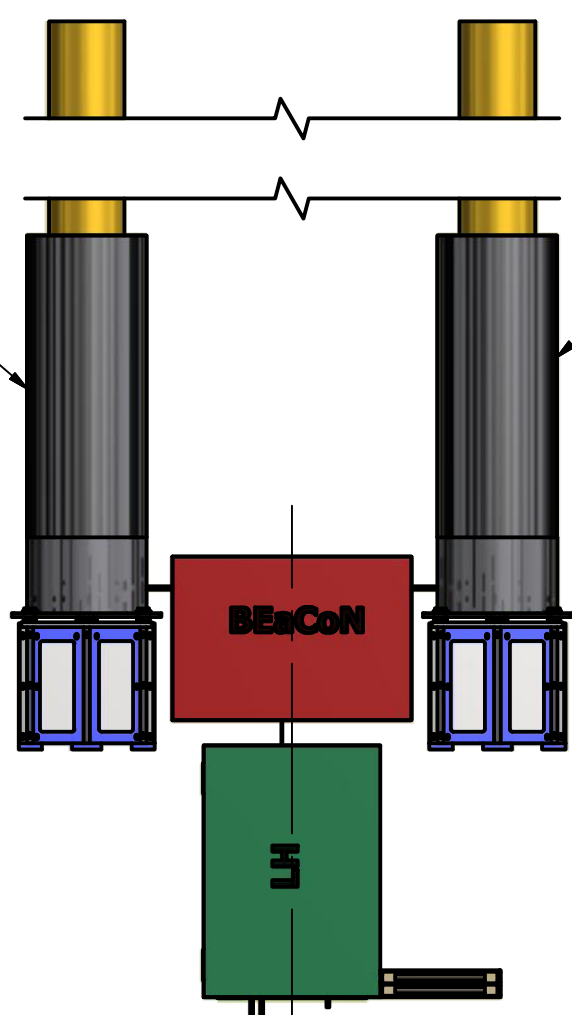


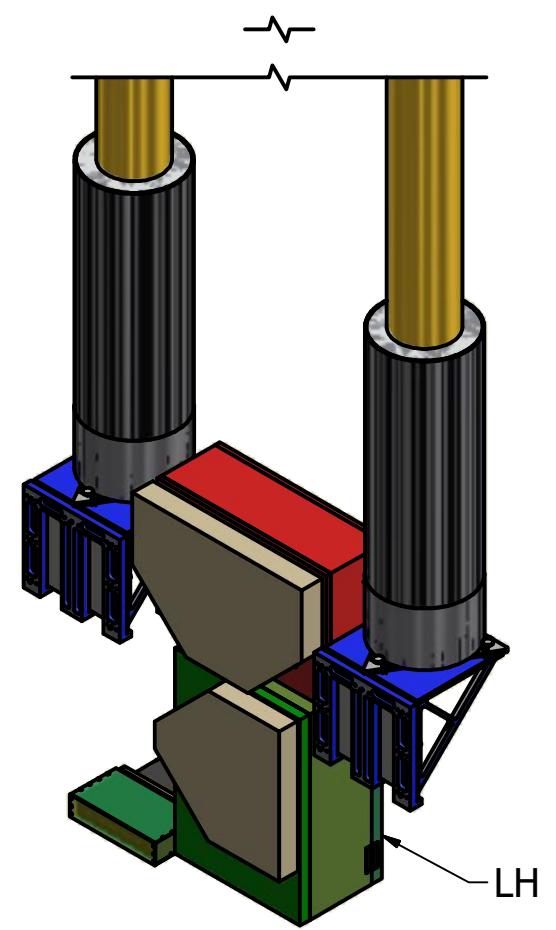
-Y SIDE



LLT
LLT with Right Hand
optical input window

LLT
LLT with Left Hand
optical input window
LLT nominal dimensions:
~ 475mm dia x ~ 1,500mm long

SCALE 1/30



Rear View of hardware showing intended interface spacers and telescope mounting hardware

MATERIAL	DRAWN SKANG	DATE 7/3/2019	GEMINI 8-M Telescopes Project <small>Operated by the Association of Universities for Research in Astronomy, INC. (AURA) under cooperative agreement with the National Science Foundation</small>	
<small>UNLESS OTHERWISE SPECIFIED; * INTERPRET DIM AND TOL PER ANSI Y 14.5 - 1982 * DIM ARE IN MM[INCH]. * TOLERANCES ARE: X± 0.50 X.X± 0.15 X.XX± 0.01 * ANGLES: ± 0.1° * SURFACE FINISH: WELDED PARTS = 6.3Ra (250µin) GENERAL = 3.2Ra (125µin) * REMOVE ALL BURRS AND SHARP EDGES 0.5 MAX * RUNOUT ADJACENT MACHINED COAXIAL DIA 0.25 FIM</small>	CHK		TITLE GNAO LGSF IN-HOUSE INTERFACE/ GENERAL ARRANGEMENT OF A MODULAR LASER SYSTEM	
	ENGR		SIZE	DWG NO
	APVD		B	
	QA		SCALE	
	CONTRACT		REV	A
RELEASE		SHEET 1 OF 1		